

# 15kW<sub>60Hz</sub> 12.5kVA<sub>50Hz</sub>

## **norpro**<sup>®</sup>

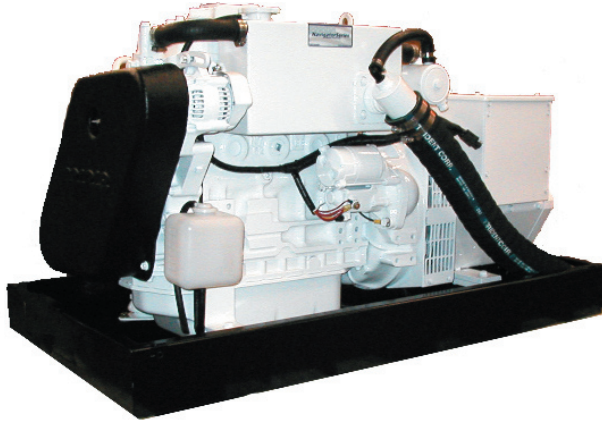
A Global Power Solutions Company

## **NavigatorSeries** Marine Generator

4/06/12

### **15NY**

Standby Rating 60Hz: 15kW  
Prime Rating 60Hz: 13.5kW



#### **Standard Features**

- Analog 200 Remote Control Panel
- 10' Extension Harness
- Aqua Shield™ Patented Exhaust Manifold Cover
- Marine Grade Epoxy Paint (Ultra White - Std.)
- Oil Drain Kit
- Washable Long-Life Air Filter
- Buddy Box (spare parts kit)
- ABS Molded Belt Guard
- Coolant Overflow Bottle
- Rubber Isolation Mounts
- Heat Exchanger Cooling
- Stainless Steel Drip Pan
- Single Lifting Point
- Hand Built in the USA
- Prototype and Production Tested
- Meets or Exceeds Teir H Nonroad Emissions Regulations
- 5 Year 5,000 Hour Warranty

#### **Philosophy at Norpro**

- Build a reliable product for the harshest of operating environments.
- Supply a product which is simple to operate and easy to maintain
- Use the best technology and materials available
- Provide the best value in the industry

#### **More For Your Money**

Norpro has been a leader in generator technology since we began operations in 1986. We strive to provide the best in terms of durability, performance, and value in the generator market. Using only world-class engines and components, we hand build the highest quality generators possible. By using high grade materials including, epoxy paint, stainless hardware, and powder coat, you can rest assured your generator will look good for many years to come. Our sound shields were developed using input from the aerospace industry. The results speak quietly on their own with sound canceling effects decreasing noise on average by 50%. We are very committed and proud of our product which is why we offer one of the most extensive warranties available. With the support of an experienced warranty representative, and a multi-million dollar inventory, all your generator needs are just a phone call away. Sales and services are handled by factory trained distributors and dealers reaching across the country and around the world. Everything is done to help us meet your needs and exceed your expectations.

#### **Analog 200 Control Panel**

- Three gauge panel
- Water temperature, oil pressure, battery voltage
- Hour meter and preheat
- Ten second oil pressure bypass timer
- Emergency shutdowns for high water temp and low oil pressure
- 12-volt breaker protection
- 6.75" x 5.5" x 1.05" (L x H x D)
- Black over white ABS faceplate



Complete details

also available on our

website.

Please visit:

[www.4norpro.com](http://www.4norpro.com)

<b>Engine Specifications</b>	<b>60Hz</b>	<b>50Hz</b>
Manufacturer	Yanmar	
Engine model	3TNV88	
Cylinder arrangement	3 in-line 4-cycle	
Displacement, cu.in. (cc)	100.2 (1642)	
Bore and stroke, (in.)	3.46 x 3.54	
Compression ratio	19.1:1	
Rated rpm	1800	1500
Max power at rated rpm (bhp)	21.7	18.1
Cylinder head material	Cast Iron	
Block material	Cast Iron	
Governor type	Mechanical	
Frequency regulation	3-5%	
Air cleaner type	Replaceable Element	

<b>Engine Electrical System</b>	
Ignition system	Electric
Starter system voltage (DC)	12V
Battery recommendation (CCA)	500
Battery voltage (DC)	12V
Starter kW	1.2

<b>Generator Specifications</b>	
Type	4 Pole
Exciter type	Brushless
Leads: Quantity	4
Voltage regulator	AVR
Insulation material	H type
Temperature rise	105° C
Bearing type	Sealed
Coupling	Direct Bolt-up
Voltage regulation	1%
Phase type	1
Power factor	1.0
Power rating kW (kVA)	15 (15) 12.5 (12.5)
Mainline breaker (amps) optional	50 40

<b>Generator Ratings</b>	
Amps @ 120 60hz	125 104
Amps @ 240 60hz	62.5 52

<b>Lubrication System</b>	
Type	Full Pressure
Engine oil capacity w/filter, qt.(L)	7.08 (6.7)
Oil filter type	Spin-on

<b>Weights and Dimensions</b>					
	Length in. (cm)	Height in. (cm)	Width in. (cm)	Dry Weight lbs. (kg)	Wet Weight lbs. (kg)
Open Unit	33.5 (85)	25 (63.5)	19 (48.3)	609 (276.2)	619 (280.8)
Enclosed	41 (104.1)	27.5 (69.9)	23 (58.4)	654 (296.6)	664 (301.2)

<b>Fuel System</b>	<b>60Hz</b>	<b>50Hz</b>
Fuel shutoff solenoid	Electric	
Fuel pump	Electric	
Fuel pump priming	Mechanical	
Fuel type	WŠU Diesel	
Fuel pump lift, ft (m)	3.28 (1)	
Fuel line supply	5/16	
Fuel line return	5/16	

<b>Cooling System</b>	
Manifold	Water Jacketed
Engine coolant capacity (qts)	2.11
Heat exchanger type	3" HPass Cupronickel
Raw water pump inlet	5/8
Raw water pump type	Belt Driven
Sea water pump flow rate	8gpm
Water pump type	Centrifugal
Fan diameter (in.)*	9.5
Fan & Alternator (hp)*	1
Fan type*	5 Blade Pusher
Fan rotation (from front of engine)	Clockwise

\* Used only on sound shield models

<b>Air Requirements</b>	
Engine combustion air intake (cfm)	46.98
Generator end cooling (cfm)	220
Sound shield air space, in. (cm)	4 (10.1)

<b>Exhaust System</b>	
Exhaust type	Water Cooled
Max allowable back pressure (in.hg)	3.77
Exhaust outlet size, in.(cm)	2 (5)

<b>Fuel Consumption</b>			
100% Load, gph (lph)	1.25 (4.7)	1.07 (3.92)	
75% Load, gph (lph)	1.00 (3.8)	0.83 (3.17)	
50% Load, gph (lph)	0.67 (2.5)	0.56 (2.08)	

<b>Sound Tables</b>				
<b>dB(A) Without Sound Shield</b>				
Load	100%	75%	50%	
3'	85	84	84	
10'	82	81	81	
21'	79	77	76	
<b>dB(A) With Sound Shield</b>				
Load	100%	75%	50%	
3'	72	72	71	
10'	70	69	68	
21'	66	64	64	

# OPTIONAL EQUIPMENT

## Digitec 300 Controller

- Programmable microprocessor panel
- Engine start up with an automatic preheat system
- Digital display
  - water temperature
  - oil pressure
  - tamper proof hour meter
  - battery voltage
- Safety systems
  - automatic shutdown for low oil pressure
  - high water temperature
  - over speed
  - over frequency
- Three onboard replaceable 40AMP fuses for fuel, crank, and timer outputs
- 5.5" x 4.3" x 2.16" (L x H x D)
- Conform to 12V or 24V operations
- User friendly

## Digitec 400 Controller

Includes all features on the Digitec 300

- Most vivid LCD screen available
- Automatic battery recharge
- Real time clock
- Eight digital programmable inputs
- Twenty-five programmable digital outputs
- Automatic shutdown for any discrepancy in:
  - current
  - speed
  - voltage
  - frequency
  - battery levels
- Password protected
- Fully programmable engine exerciser
- 100 event failure log
- Connection for six industry standard analog senders
- Sleep mode to conserve battery
- 5.47" x 4.45" x 2.56" (L x H x D)

## Color Options

- Bonsai Blue
- Zodiac Blue
- Midnight Black
- Anthracite Gray
- Soft Silver

## Remote Start Panel

- Starting and stopping capabilities from a remote location
- Start/Stop switch
- Unit hourmeter
- 3"H x 6"L ABS plate
- Includes "Y" harness

## Dual Station Instrumentation

- Analog panel system
  - Full instrumentation at two locations
  - Start and stop capability

## Enclosures

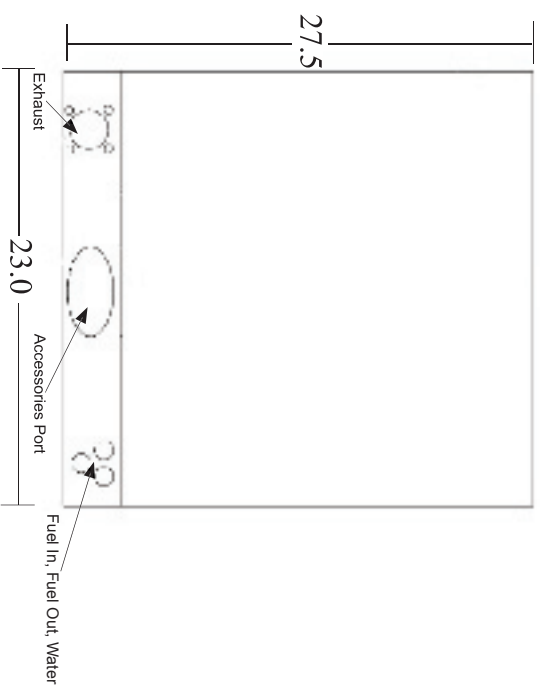
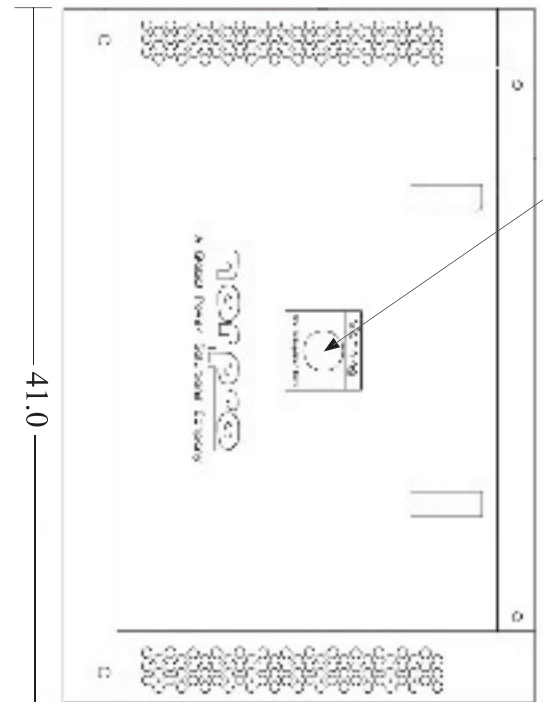
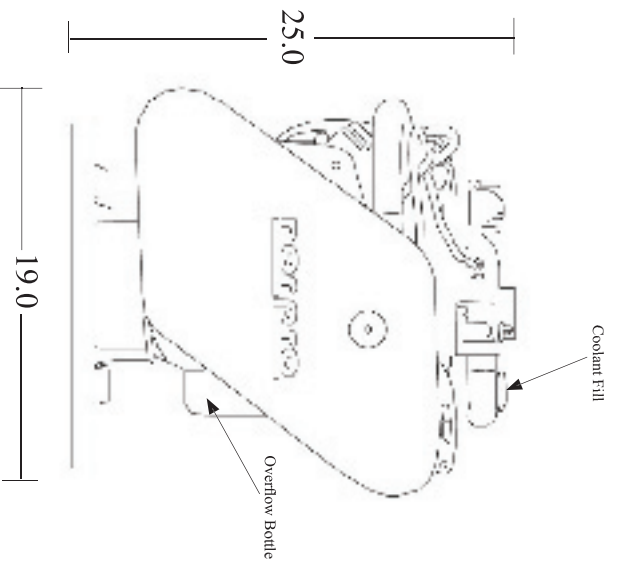
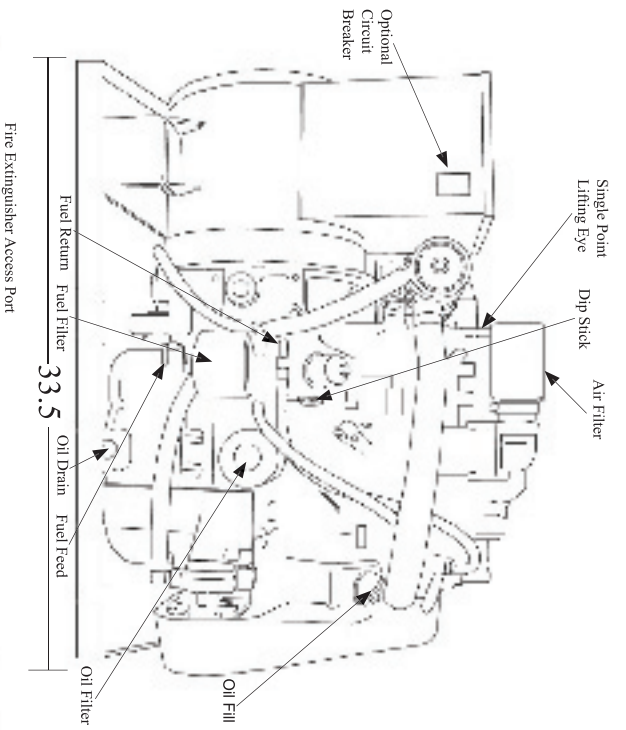
- Protects from the elements
- Decrease noise while maintaining airflow
- All aluminum
- 5052 .080 aluminum
- Powder coated to ensure a long lasting finish
- Complete teardown in minutes using only a # 2 philips screwdriver
- Doors come off/open via durable Southco latches
  - Sophisticated polyether foam adds further sound deadening on sound enclosures
- Foam is UL 94 HF1 listed for flammability testing

## Remote Extension Cables

- Mount your panel virtually anywhere
- Eight or twelve pin rubber molded connectors
  - Extension harness, 5' (1.5 m)
  - Extension harness, 10' (3 m)
  - Extension harness, 20' (6 m)
  - Extension harness, 50' (15.2 m)

## More Options

- Battery
- Interlocking mounts
- Mainline breaker
- Inline style block heater
- Cartridge type air filter
- Electronic governing
- "Y" harness
- Siphon Break
- Auxillary Stackable Crank Pulley
- Exhaust Muffler



Plant address: 25 Falls Rd. Moodus, CT 06469 Tel:(860) 873-0100  
 Fax:(860) 873-0200 TOLL FREE 1-877-4NORPRO www.4norpro.com

**Model - 15NY**  
**Distributed by:**